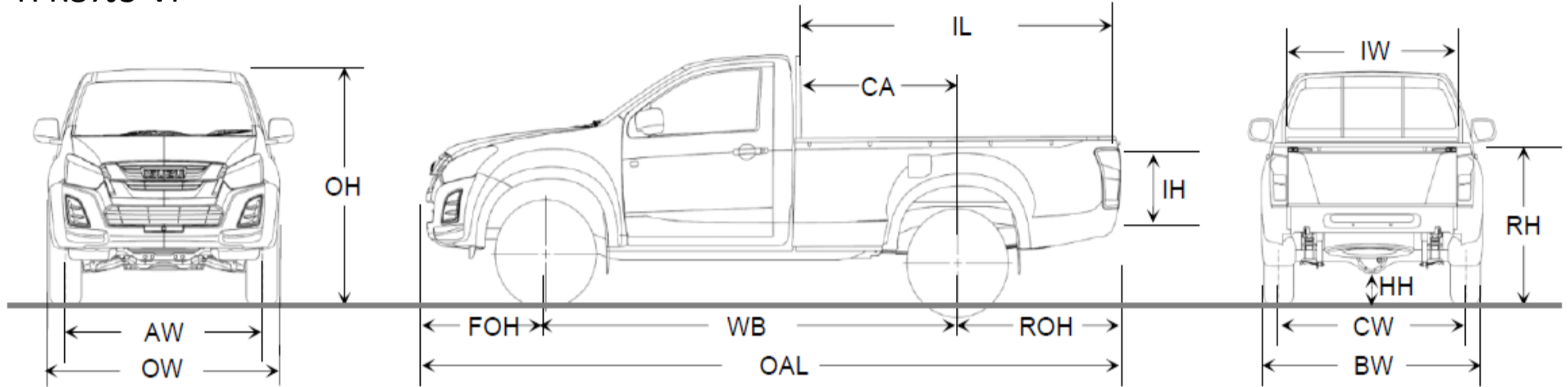
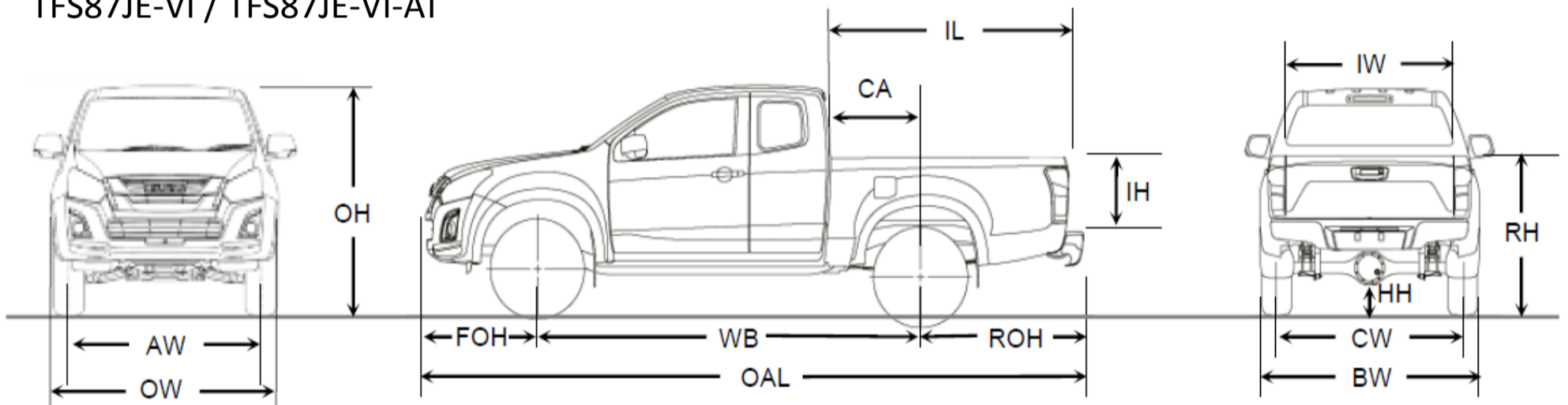


MODEL	OAL	WB	FOH	ROH	IL	CA	OW	AW	BW	CW	IW	OH	HH	RH	IH
TFR87JS-VI	5,315	3,095	905	1,315	2,305	1,235	1,775	1,510	1,730	1,510	1,570	1,685	190	1,160	440
TFS87JE-VI	5,295	3,095	905	1,295	1,795	740	1,860	1,570	1,830	1,570	1,530	1,790	235	1,305	465
TFS87JE-VI-AT	5,295	3,095	905	1,295	1,795	740	1,860	1,570	1,830	1,570	1,530	1,790	235	1,305	465
TFR87JD-VI	5,295	3,095	905	1,295	1,485	430	1,775	1,510	1,730	1,510	1,530	1,690	190	1,185	465
TFS87JD-VI	5,295	3,095	905	1,295	1,485	430	1,860	1,570	1,820	1,570	1,530	1,785	225	1,295	465
TFS87JD-VI-AT	5,295	3,095	905	1,295	1,485	430	1,860	1,570	1,830	1,570	1,530	1,795	235	1,305	465
TFS87JD-VI-AT-D	5,295	3,095	905	1,295	1,485	430	1,860	1,570	1,830	1,570	1,530	1,795	235	1,305	465

TFR87JS-VI



TFS87JE-VI / TFS87JE-VI-AT



TFR87JD-VI / TFS87JD-VI / TFS87JD-VI-AT / TFS87JD-VI-AT-D

